



A problem has occurred

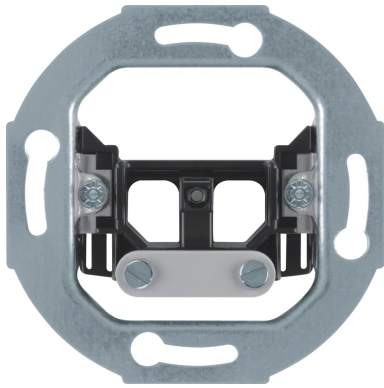
2026-06-10 16:59:04

Error message:

This license has expired on 2026-05-30.

License Information:

License serial no:	3916
Licensee:	Adeona Oy
Product:	PDFReactor Web Service
Version:	12.0
License Type:	CPU
Amount:	12 Thread(s)
Maintenance Exp. Date:	2026-05-30
Expiration Date:	2026-05-30
Purchase Date:	2015-11-18
Conditions:	[This license is for use on development systems only. It may not be used on staging or productive systems of any kind.]
Sign Date:	2025-06-02 15:12



4468

WDF4411 Kabelio išvedimo mechanizmas, montavimo gylis 22,5mm, Berker**Prekės ženklas:** Hager**GTIN:** 4011334164852

WDF4411 Kabelio išvedimo mechanizmas Berker S1/Bx/Qx/Rx/Kx., montavimo gylis 22,5 mm. - kabeliams Ø maks. 9 mm., vietos taupymas relėms ir kt., su įtempimo kompensatorium, be gnybtų bloko.

ETIM duomenys:

Kompleksinio bloko išdėstymas	Pamatelements
Panaudojimas	Kabeļa kontaktligzda
Atraminis žiedas	Taip
Su gaubtu nuo dulkių	Ne
Su vyrius turinčiu dangčiu	Ne
Išvesties kryptis	Apakšā
Įspaudžiama etiketė	Bez norādes lauka
Su įspaudu	Ne
Montavimo metodas	Iebūvēts
Medžiaga	Cits
Medžiagos kokybė	Cits
Be halogeno	Taip
Antibakterinis apdorojimas	Ne
Paviršiaus apdorojimas	Neapstrādāts
Permatomas	Ne
Tvirtinimo tipas	Montāža ar nagu un skrūvi
Su magistralėmis / sankabomis	Ne
Tinka įvairioms jungtims	0
Izoliuotos jungtys	Nē
Įtempimo atlaisvinimas	Ne
Uždengtos jungtys	Ne
Uždengti korpusai	Ne
Padengtas gnybtas	Ne
Su apšvietimu	Ne
Tinka apsaugos laipsniui (IP)	IP20
Smūgio stiprumas	IK02
Įrenginio plotis	70 mm
Įrenginio aukštis	70 mm
Įrenginio gylis	35 mm
Mažiausias įmontuoto įrenginio gylis	35 mm

Patvirtinimai / ženklinimas:



REALOBJECTS

PDFReactor®

Evaluation Version

This PDF document was created by an evaluation version of RealObjects PDFReactor 12.3.2 (17644). The evaluation version is fully functional, but includes this information page. It must not be used for production purposes. The information page and all other evaluation notices must not be removed from the PDF file.

NOTE: Conversions in evaluation mode might be slower and the results might have a larger file size than in production mode.

Buy PDFReactor

To buy a PDFReactor license follow this link:

[Buy PDFReactor online](#)

About PDFReactor

RealObjects PDFReactor is a powerful formatting processor for converting HTML and XML documents into PDF. It uses Cascading Style Sheets (CSS) to define page layout and styles. The server-side tool enables a great variety of applications in the fields of ERP, eCommerce and Electronic Publishing.

PDFReactor supports HTML5, CSS3 and JavaScript.

It allows you to dynamically generate PDF documents such as invoices, delivery notes and shipping documents on-the-fly. PDFReactor allows you to easily add server-based PDF generation functionality to your application or service. Since PDFReactor runs on a server, the end-user in general does not need any software other than a PDF viewer.

For more information visit www.pdfreactor.com