



REALOBJECTS  
**PDFReactor**<sup>®</sup>

## A problem has occurred

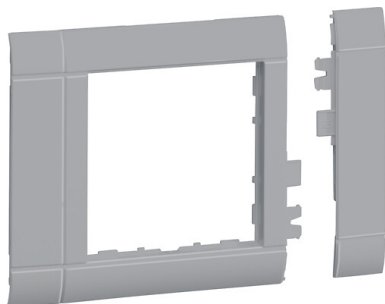
2026-06-17 07:27:44

### Error message:

This license has expired on 2026-05-30.

### License Information:

License serial no:	3916
Licensee:	Adeona Oy
Product:	PDFReactor Web Service
Version:	12.0
License Type:	CPU
Amount:	12 Thread(s)
Maintenance Exp. Date:	2026-05-30
Expiration Date:	2026-05-30
Purchase Date:	2015-11-18
Conditions:	[This license is for use on development systems only. It may not be used on staging or productive systems of any kind.]
Sign Date:	2025-06-02 15:12



GRO800ALAN

### Raam kateplaadile, 55x55mm, halogeenivaba, alumiinium

**Bränd:** Hager

**GTIN:** 4012740982146

Modulaarne 1-osaline katteraam kaablikanalitele, mis katab lõikeservad kaablikanali kaane vastas ning tagab puhta ja viimistletud tulemuse. Mõeldud 55×55 mm keskplaatide, katete, kiiklülite ja adaptorraamide paigaldamiseks. Katteraam on kohandatud kaablikanali väliskontuuriga, et vähendada mustuse kogunemist ja lihtsustada puhastamist. Sobib kasutamiseks modulaarsete ja virnastatavate seadmekarpidega kaablikanalites, tänu vähendatud paigaldussügavusele saavutatakse ühtlane ja tasapinnaline lõpptulemus koos kaablikanali otsakattega. Valmistatud halogeenivabast plastikust ja viimistletud alumiiniumi värvitooniga. Soovi korral saab katteraami kombineerida kaablikanalitele mõeldud pistikupesakattega, kasutades selleks lisatarvikuna saadaval olevat adapterit.

#### ETIM-teave:

Katte laius	80 mm
Pikkus	103 mm
Laiuse avaus	55 mm
Kõrguse avamine	55 mm
Läbimõõdu avaus	0 mm
Ühikute arv	1
Seadme tüüp	Seadmed, millel on keskne plaat
Halogeenvaba	Jah
RAL-number	9006
Kaitsva fooliumiga	Ei
Liigesekate	Jah
Plaadifirma ala	Ei

#### Kinnitused / märgistused:





REALOBJECTS

PDFReactor®

## Evaluation Version

This PDF document was created by an evaluation version of RealObjects PDFReactor 12.3.2 (17644). The evaluation version is fully functional, but includes this information page. It must not be used for production purposes. The information page and all other evaluation notices must not be removed from the PDF file.

**NOTE:** Conversions in evaluation mode might be slower and the results might have a larger file size than in production mode.

## Buy PDFReactor

To buy a PDFReactor license follow this link:

[Buy PDFReactor online](#)

## About PDFReactor

RealObjects PDFReactor is a powerful formatting processor for converting HTML and XML documents into PDF. It uses Cascading Style Sheets (CSS) to define page layout and styles. The server-side tool enables a great variety of applications in the fields of ERP, eCommerce and Electronic Publishing.

PDFReactor supports HTML5, CSS3 and JavaScript.

It allows you to dynamically generate PDF documents such as invoices, delivery notes and shipping documents on-the-fly. PDFReactor allows you to easily add server-based PDF generation functionality to your application or service. Since PDFReactor runs on a server, the end-user in general does not need any software other than a PDF viewer.

For more information visit [www.pdfreactor.com](http://www.pdfreactor.com)