



## A problem has occurred

2026-06-06 09:25:14

### Error message:

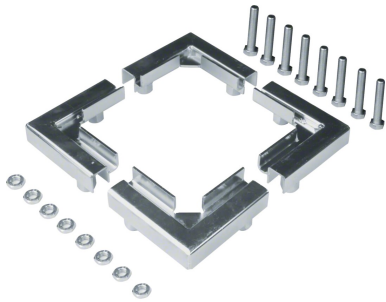
This license has expired on 2026-05-30.

### License Information:

License serial no:	3916
Licensee:	Adeona Oy
Product:	PDFReactor Web Service
Version:	12.0
License Type:	CPU
Amount:	12 Thread(s)
Maintenance Exp. Date:	2026-05-30
Expiration Date:	2026-05-30
Purchase Date:	2015-11-18
Conditions:	[This license is for use on development systems only. It may not be used on staging or productive systems of any kind.]
Sign Date:	2025-06-02 15:12

# TUOTEKORTTI

## UDSLS118



### Raskaskuormatuki 20kN asti yleisvalurasialle säätöalue 93-118mm

**Tuotemerkki:** Hager

**GTIN:** 4012002238431

Raskaskuormatuki 20kN asti yleisvalurasialle säätöalue 93-118mm

Korkeussäädettävä raskaan kuormituksen tuki korkeudensäätöruuvein. Käyttö yleisvalurasioiden UDB, UDH, UDS koko 3, asennettaessa korkean kuormituksen 20 kN lattiarasioiden kanssa.

#### ETIM-tiedot:

Tarvikkeen/varaosan tyyppi

asennustarvikesarja

Lisätarvike

kyllä

Varaosa

ei

UDSLS118

#### Hyväksynät / merkinnät:





REALOBJECTS

PDFReactor®

## Evaluation Version

This PDF document was created by an evaluation version of RealObjects PDFReactor 12.3.2 (17644). The evaluation version is fully functional, but includes this information page. It must not be used for production purposes. The information page and all other evaluation notices must not be removed from the PDF file.

**NOTE:** Conversions in evaluation mode might be slower and the results might have a larger file size than in production mode.

## Buy PDFReactor

To buy a PDFReactor license follow this link:

[Buy PDFReactor online](#)

## About PDFReactor

RealObjects PDFReactor is a powerful formatting processor for converting HTML and XML documents into PDF. It uses Cascading Style Sheets (CSS) to define page layout and styles. The server-side tool enables a great variety of applications in the fields of ERP, eCommerce and Electronic Publishing.

PDFReactor supports HTML5, CSS3 and JavaScript.

It allows you to dynamically generate PDF documents such as invoices, delivery notes and shipping documents on-the-fly. PDFReactor allows you to easily add server-based PDF generation functionality to your application or service. Since PDFReactor runs on a server, the end-user in general does not need any software other than a PDF viewer.

For more information visit [www.pdfreactor.com](http://www.pdfreactor.com)